

PARTS LIST		
ITEM	QTY	DESCRIPTION
1	2	F-RGO-PT1-2012 Tight-waist bracket
2	2	F-RGO-PT2-2012 Tight-knee bracket
3	2	F-RGO-PT3-2012 Knee-ankle bracket
4	1	F-RGO-PT4-2012 Right foot base
5	1	F-RGO-PT5-2012 Left foot base
6	4	F-RGO-PT6-2012 Shaft
7	4	IG-42 DC Servo Motor
8	4	Bevel Gear1
9	4	Bevel Gear2
10	4	F-RGO-PT10-2012 Connecting shaft
11	2	F-RGO-PT11-2012 Upper DC motor holder
12	2	F-RGO-PT12-2012 Lower DC motor holder
13	1	F-RGO-PT13-2012 Upper DC motor holder

JURUTERAJAWA MEKANIKAL

Department of Mechanical and Materials Engineering, Faculty of Engineering, Universiti Kebangsaan Malaysia

12880

Servo controlled Reciprocating Prosthetic Arm Assembly

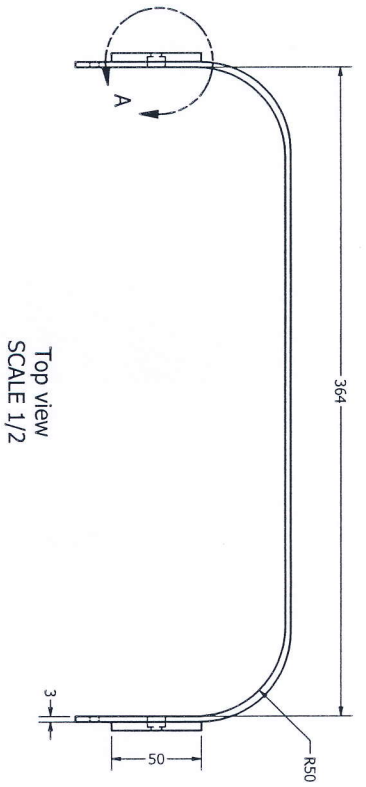
12/12/2012
12/6/2013
15/8/2013

Dr. R. Ramli
Eng. Dr. A.B.Sulong
Ir. Dr. Z. Harun

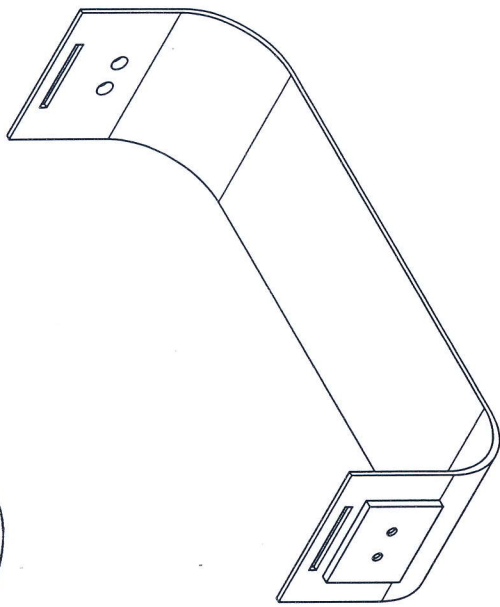
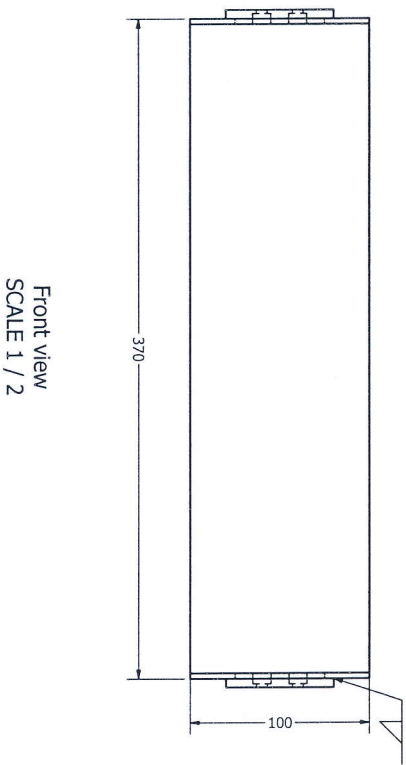
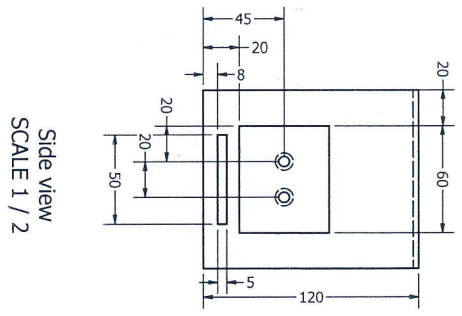
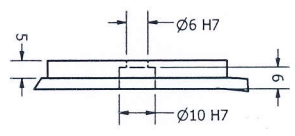
Aluminium

F-RGO-ASSY 1-2012

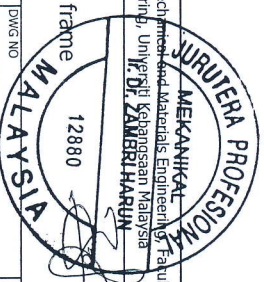
1 OF 1

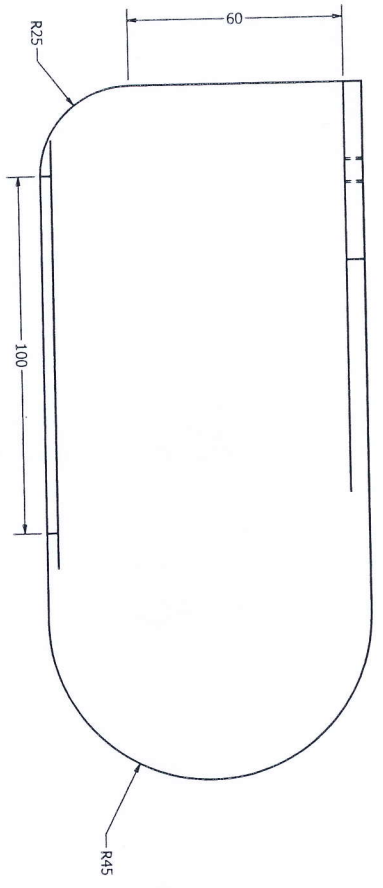


DETAIL A
SCALE 1 : 1

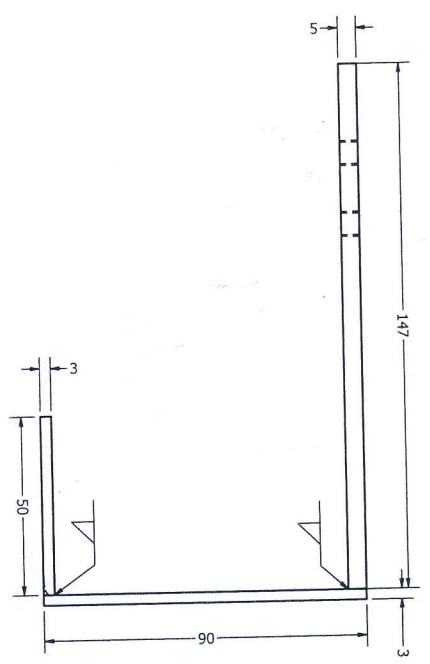


DRAWN	Dr. R. Ramli	12/12/2012	Department of Mechanical and Materials Engineering, Faculty of Engineering, Universiti Kebangsaan Malaysia	
CHECKED	Eng. Dr. A.B. Sulong	12/6/2013	12880	
APPROVED	Ir. Dr. Z. Harun	15/8/2013	F-RGO-PT13-2012	
MATERIAL	Aluminium	SIZE C	DWG NO.	REV
		SCALE	All unit in mm	SHEET 1 OF 1

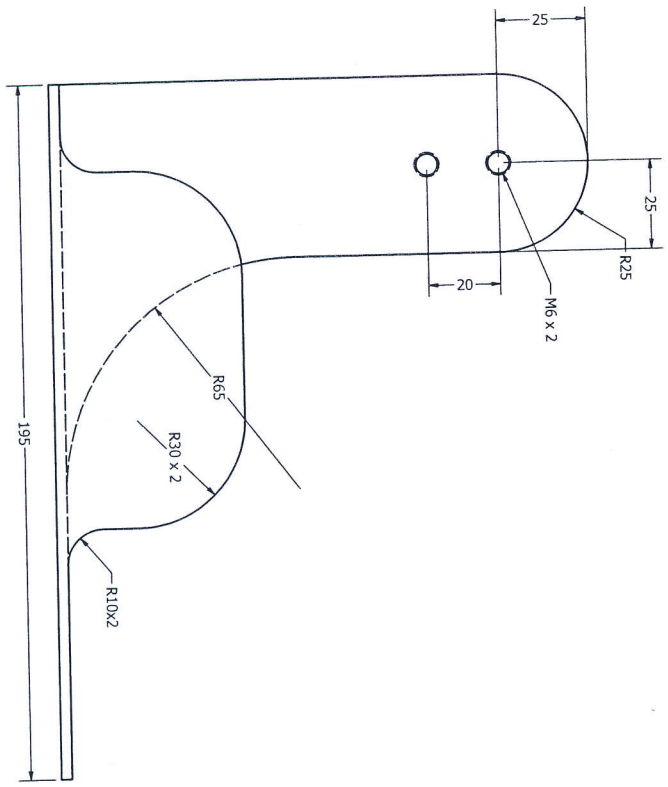




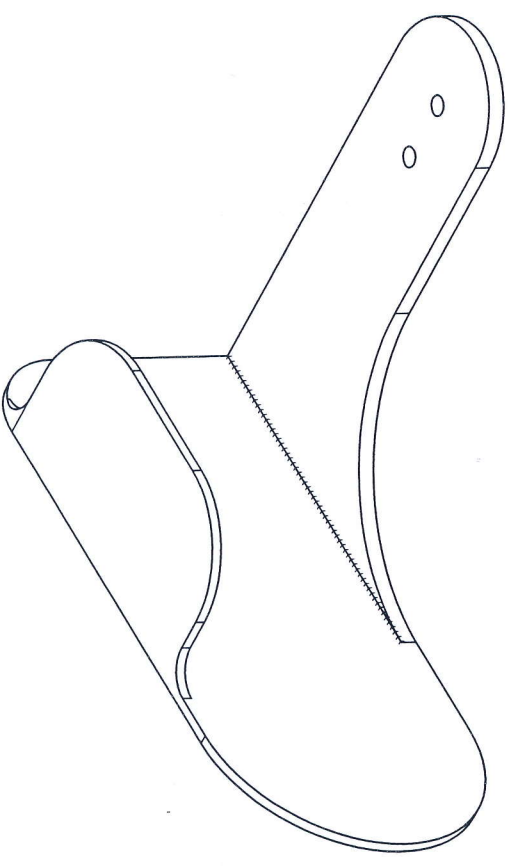
Top view
SCALE 1 : 1



Side view
SCALE 1 : 1



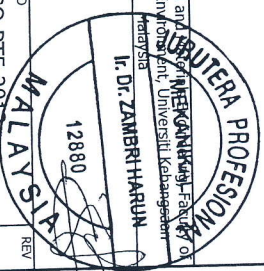
Front view
SCALE 1 : 1



Isometric view
SCALE 1 : 1

DRAWN	Dr. R. Ramli	12/12/2012	TITLE	Department of Mechanical and Environmental Engineering and Built Environment, Universiti Kebangsaan Malaysia	
CHECKED					
APPROVED	Eng. Dr. A. B. Sulong	12/6/2013			
	Ir. Dr. Z. Harun	15/8/2013			
Material	Aluminium		SIZE	C	DWG NO
			SCALE		F-RGO-PTS-2012
					All unit in mm

12880



I. DR. ZAMBRI HARUN
12880
MALAYSIA